

①



②



③

MARIO PARTY™ & 2004 - 2005 NINTENDO. © 2004 - 2005 HUDSON SOFT.™, ® ET LE LOGO NINTENDO GAMECUBE LOGO ARE TRADEMARKS OF NINTENDO. © 2005 NINTENDO.

④

①



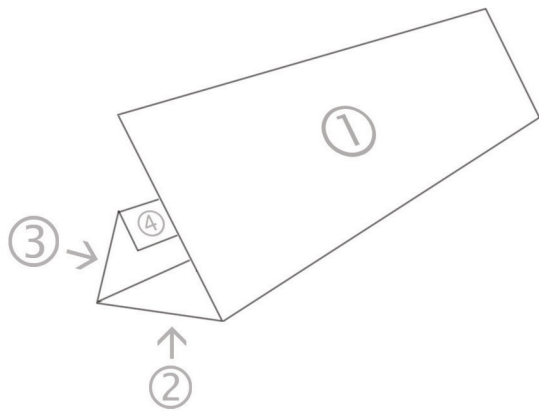
②



③

MARIO PARTY™ & 2004 - 2005 NINTENDO. © 2004 - 2005 HUDSON SOFT.™, ® ET LE LOGO NINTENDO GAMECUBE LOGO ARE TRADEMARKS OF NINTENDO. © 2005 NINTENDO.

④



①



②



③

MARIO PARTY™ & 2004 - 2005 NINTENDO. © 2004 - 2005 HUDSON SOFT.™, ® ET LE LOGO NINTENDO GAMECUBE LOGO ARE TRADEMARKS OF NINTENDO. © 2005 NINTENDO.

④

